

# Technical data sheet

## Product features



### Cooking range solid top 4 zones

|              |                 |          |
|--------------|-----------------|----------|
| <b>Model</b> | <b>SAP Code</b> | 00013595 |
|--------------|-----------------|----------|



- Device type: Electric unit
- Power consumption of the zone 1 [kW]: 2,5
- Power consumption of the zone 2 [kW]: 2,5
- Power consumption of the zone 3 [kW]: 2,5
- Power consumption of the zone 4 [kW]: 2,5

|                            |                    |   |           |
|----------------------------|--------------------|---|-----------|
| <b>SAP Code</b>            | 00013595           | <b>Number of zones</b>                      | 4         |
| <b>Net Width [mm]</b>      | 800                | <b>Power consumption of the zone 1 [kW]</b> | 2,5       |
| <b>Net Depth [mm]</b>      | 600                | <b>Power consumption of the zone 2 [kW]</b> | 2,5       |
| <b>Net Height [mm]</b>     | 240                | <b>Power consumption of the zone 3 [kW]</b> | 2,5       |
| <b>Net Weight [kg]</b>     | 71.00              | <b>Power consumption of the zone 4 [kW]</b> | 2,5       |
| <b>Power electric [kW]</b> | 10.000             | <b>Solid top dimensions [mm x mm]</b>       | 700 x 500 |
| <b>Loading</b>             | 400 V / 3N - 50 Hz |   |           |

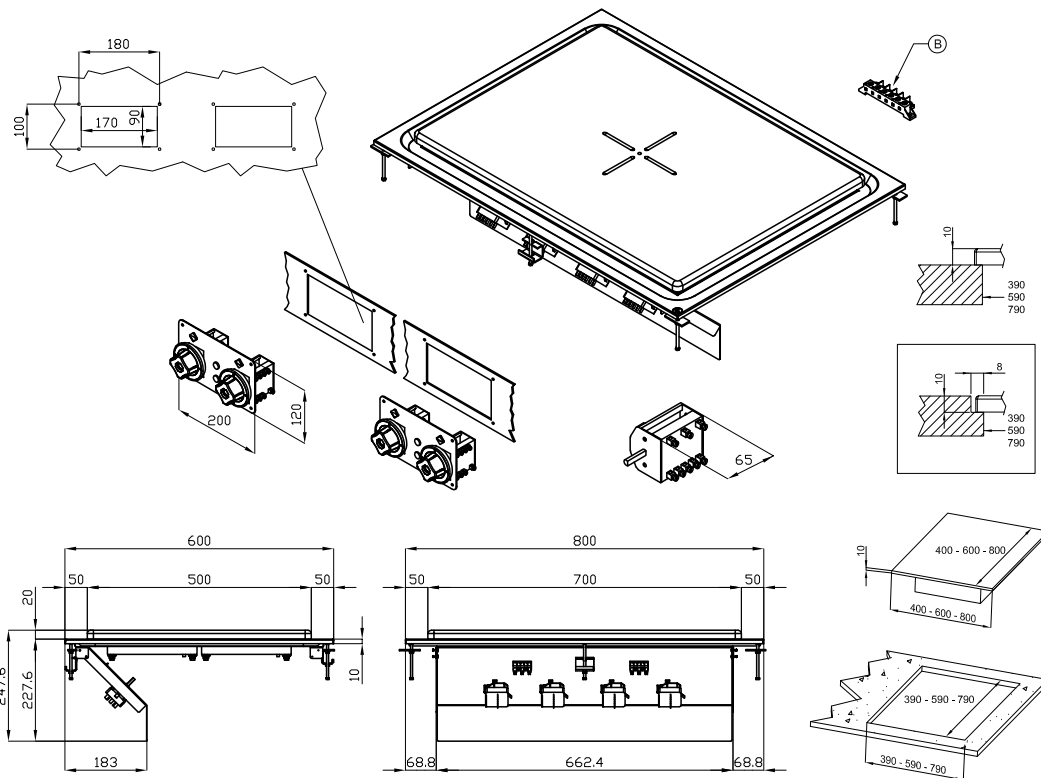
# Technical data sheet

Technical drawing



## Cooking range solid top 4 zones

|              |                 |          |
|--------------|-----------------|----------|
| <b>Model</b> | <b>SAP Code</b> | 00013595 |
|--------------|-----------------|----------|



|   |            |  |   |                       |  |
|---|------------|--|---|-----------------------|--|
| A | Data plate |  | B | Electrical connection |  |
|---|------------|--|---|-----------------------|--|

# Technical data sheet

Technical parameters



## Cooking range solid top 4 zones

**Model**

**SAP Code**

00013595

**1. SAP Code:**

00013595

**2. Net Width [mm]:**

800

**3. Net Depth [mm]:**

600

**4. Net Height [mm]:**

240

**5. Net Weight [kg]:**

71.00

**6. Gross Width [mm]:**

1080

**7. Gross depth [mm]:**

630

**8. Gross Height [mm]:**

470

**9. Gross Weight [kg]:**

80.00

**10. Device type:**

Electric unit

**11. Construction type of device:**

Drop-in

**12. Power electric [kW]:**

10.000

**13. Loading:**

400 V / 3N - 50 Hz

**14. Worktop Thickness [mm]:**

20.00

**15. Number of zones:**

4

**16. Power consumption of the zone 1 [kW]:**

2,5

**17. Power consumption of the zone 2 [kW]:**

2,5

**18. Power consumption of the zone 3 [kW]:**

2,5

**19. Power consumption of the zone 4 [kW]:**

2,5

**20. Maximum device temperature [°C]:**

450

**21. Safety element:**

thermostatic protection against overheating

**22. Safety thermostat:**

Yes

**23. Number of burners/hot plates:**

4

**24. Type of gas cooking zones:**

Thales

**25. Type of electric cooking zones:**

Squared

**26. Solid top thickness [mm]:**

20

**27. Solid top dimensions [mm x mm]:**

700 x 500

**28. Solid top material:**

chrome-molybdenum

# Technical data sheet

Technical parameters



## Cooking range solid top 4 zones

|              |                 |          |
|--------------|-----------------|----------|
| <b>Model</b> | <b>SAP Code</b> | 00013595 |
|--------------|-----------------|----------|

### 29. Cross-section of conductors CU [mm<sup>2</sup>]:

2,5

– Výkon (kW): 11-17 (230 V); 19-30 (400 V)